



INSTALLATION INSTRUCTIONS

Accessory
REAR SEAT COVER
P/N 08P33-TP6-111

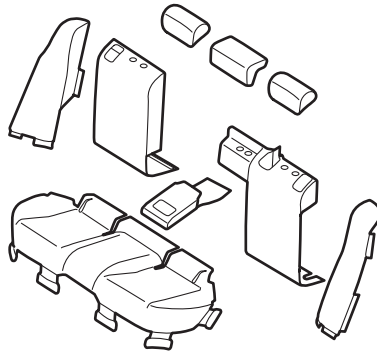
Application
2015 CROSSTOUR

Publications No.
VERSION 1
Issue Date
SEP 2014

Put this information in the glove box with the vehicle owner's manual.

PARTS LIST

Rear seat covers

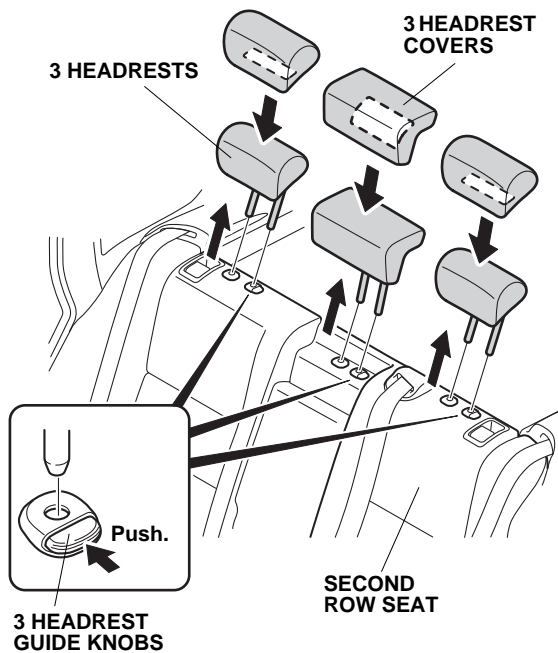


INSTALLATION

NOTE: Be careful not to damage the seats.

Installing the Headrest Covers

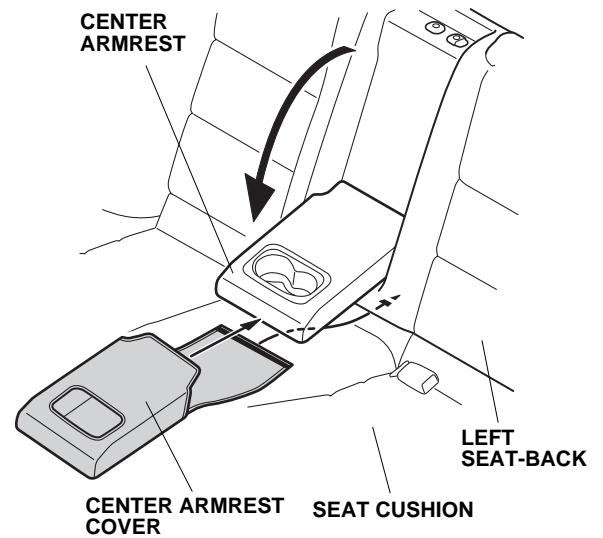
1. Fold the rear seat-backs forward. While pressing on the headrest guide knobs, remove the three headrests by pulling them upward.



2. With the tag facing forward, fit the corners of the headrest cover around the headrest, and adjust the headrest cover so it fits smoothly over the edges.
3. Repeat step 2 for the other two headrests.

Installing the Center Armrest Cover

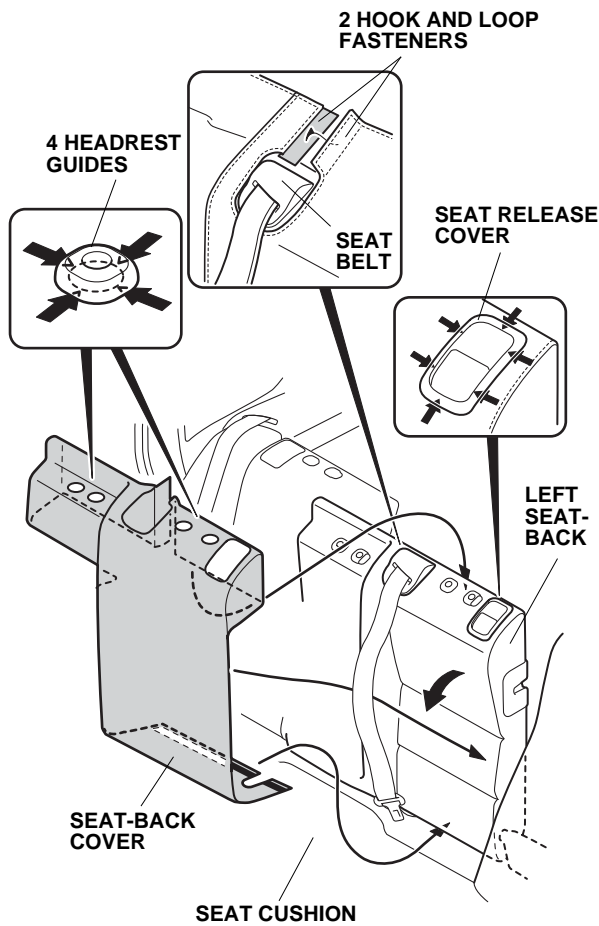
4. Pull down the center armrest, and slide the center armrest cover over the center armrest.



5. Fit the corners of the center armrest cover around the center armrest, and adjust the center armrest cover so it fits smoothly over the edges.
6. Tuck the center armrest cover between the left seat-back and the seat cushion.

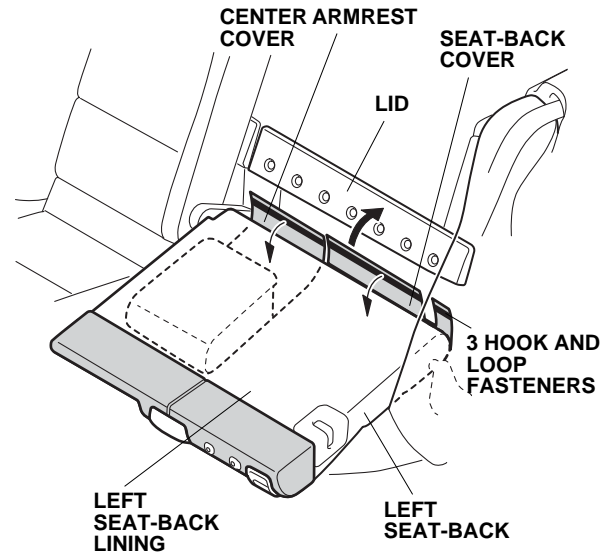
Installing the Seat-back Cover

7. Fold the left seat-back down.



8. Route the seat-back cover under the seat belt, and secure the two hook and loop fasteners.
9. Fit the corners of the seat-back cover around the left seat-back, and adjust the seat-back cover so it fits smoothly over the edges.
10. Tuck the seat-back cover under the four headrest guides and seat release cover. Tuck the seat-back cover between the left seat-back and the seat cushion.

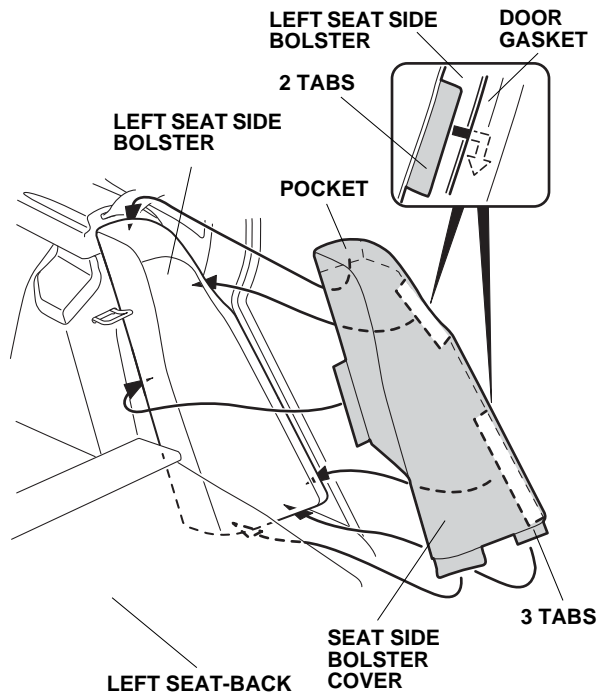
11. Pull back the lid, and pull the seat-back and center armrest covers between the left seat-back and the seat cushion. Secure the three hook and loop fasteners to the left seat-back lining.



12. Repeat steps 7 through 11 to install the seat-back cover on the right seat-back.

Installing the Seat Side Bolster Cover

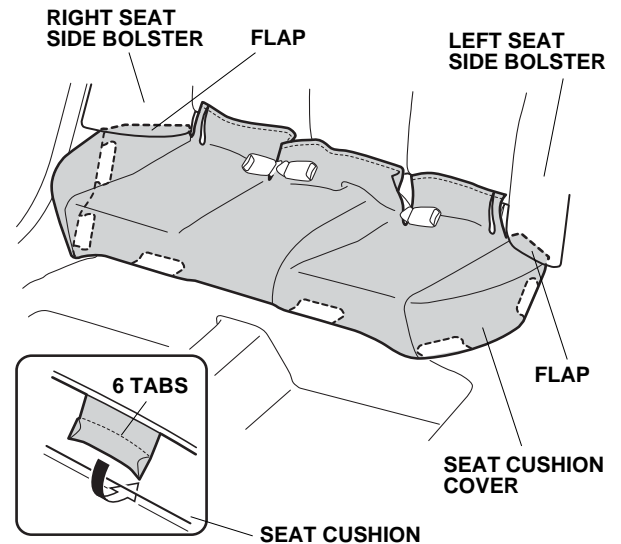
13. Fold the left seat-back down. Route the seat belt over the seat side bolster cover.



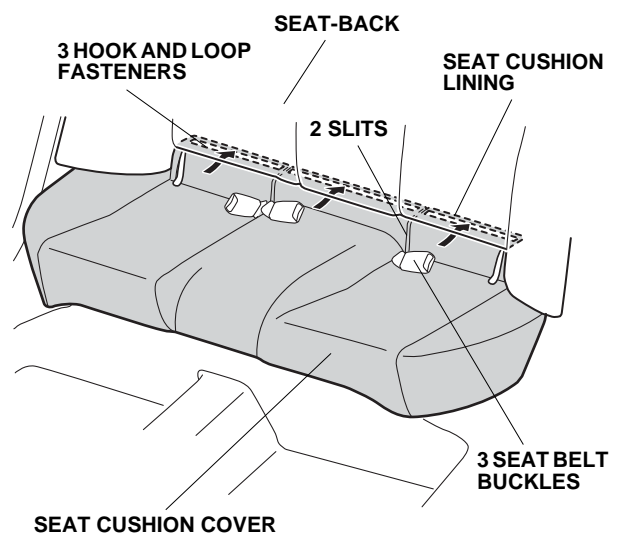
14. Slide the upper pocket over the top corner of the left seat side bolster. Starting from the top, slide the tabs downward, and insert the outer two tabs between the left seat side bolster and the door gasket. Install the remaining three tabs, and adjust the seat side bolster cover so it fits smoothly over the edges.
15. Repeat steps 13 and 14 to install the seat side bolster cover on the right seat side bolster. Return the left and right seat-backs to their original positions.

Installing the Seat Cushion Cover

16. Place the seat cushion cover over the seat cushion.



17. Fit the corners of the seat cushion cover around the seat cushion. Tuck the six tabs into the bottom of the seat cushion and tuck the two flaps between the seat cushion and each seat side bolster.
18. Route the seat belt buckles through the slits in the seat cushion cover. Tuck the seat cushion cover between the seat-back and the seat cushion, and secure the three hook and loop fasteners to the seat cushion lining. Adjust the seat cushion cover so it fits smoothly over the edges.



19. Reinstall the headrests.

USE AND CARE

To clean the seat covers, follow the instruction label sewn to the seat-back cover.